

1. Gateway & Bridge Series
 2. Dimming Series
 3. Relay Series
 4. Climate Series
 5. Guest Room Series
-

| 6. HUMAN INTERFACE SERIES

6.1 Smart Switch, 4-8 Btns EU HS48X1E

7. I/O Series
8. Power Supply Series
9. Multiroom Audio Series
10. Motorization Series



| DESCRIPTION

The Green IoT CONTROLS (Green IoT) HS48X1E Smart Switch, 4-8 Btns EU is a GreenBUS device that allows powerful control features. It has a terminal with 4 - 8 buttons that have LED indicators (green, red and orange) that are configurable in different combinations to suit the user's needs and indicate the status of the controlled devices. It comes with a built-in temperature sensor, IR receiver, 2 digital inputs and 12V output.

It allows the control of lighting, curtains, climate control, audio, media devices, security and many others. Additionally, and aside from controlling individual channels it allows group control of Zone and Category.

It also incorporates advanced control features of Scene, Sequence, Timer and Event.

| DEVICE FEATURES

4 to 8 buttons changeable manually, each can be enabled/disabled independently.

Button labelling can be engraved as an option on demand.

Custom applications including not limited to lighting, appliance, curtain/blind, audio, climate, media, and PC/APP control.

Provides integration with security and safety systems.

LED status indicators (red, green and orange) built into individual buttons, which can indicate the status of the devices being controlled.

Default standby LED level option with time delay.

Dimmable and LED indicators.

Press options: single, double, long press, toggle, dim and momentary.

Keypad sounder that can also be used to sound an alert/alarm.

2 Digital Inputs for connecting other sensors like door/window contacts and a 12V Output.

Built- in IR receiver (256 codes) and temperature sensor with calibration option.

Supports Zone, Category, Scene, Sequence, Timer and Event control.

Up to 512 actions can be stored.

Incorporates Zone and Category grouping.

Built-in Timer engines supporting up to 16 Timers.

Built-in Event engine supporting up to 32 Events with up to 8 triggers, 8 conditions and 128 actions.

32 Flags can be defined to be used as triggers and/or conditions for Event engine.

Programmable onsite or offsite via Smart IoT CONTROLS Configuration Client Software.

Programmed variables are stored in nonvolatile memory and are retained in case of loss of mains or GreenBUS power.

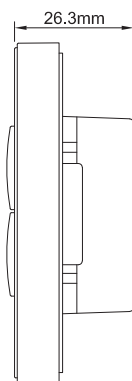
Supports online upgrade.

CE & RoHs certified.

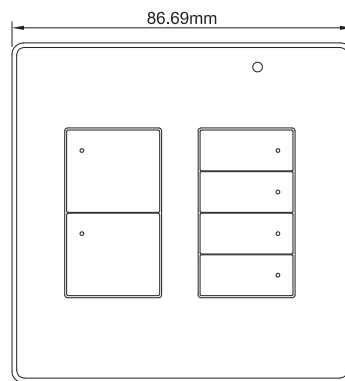
TECHNICAL SPECIFICATIONS

Operation Voltage:	DC 24V ±10% (BUS Powered)
Power Consumption:	20mA ±10%
Channel Input:	2 Digital inputs (dry contact)
IR Code Standard:	NEC
Working Temperature:	0°C ~ +55°C
Storage Temperature:	-10°C ~ +55°C
Working Humidity:	20% ~ 90%
Storage Humidity:	10% ~ 90%
Color:	Black or Custom
Installation:	76x76x35/47mm (WxHxD) Back box
Device Dimension:	86.69x86.69x26.3mm (WxHxD)
Packing Dimension:	120x115x65mm (WxHxD)
Net Weight:	135g
Gross Weight:	200g
Operation and Display:	Red and Green LED, for displaying the physical status
CE Mark:	In accordance with EMC and LVD
Protection Class:	IP20, EN60 529

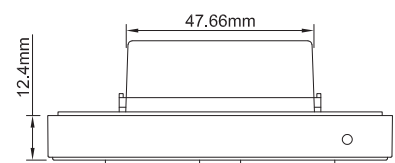
DIMENSIONS



Side View



Front View



Top View

INSTALLATION

Step 1:

Screw the metal plate to an appropriate back box on a well levelled surface (see Figure 1).

Step 2:

Insert the back side of the switch through the metal plate at the lower edge of that plate and slide upward to hear a smooth click sound ensuring the firm installation of the switch.

Step 3:

Wire remaining terminals in accordance with wiring diagram (see Figure 2). To dismantle the switch, insert the unlock key provided through the gap in the lower frame and slide down gently.

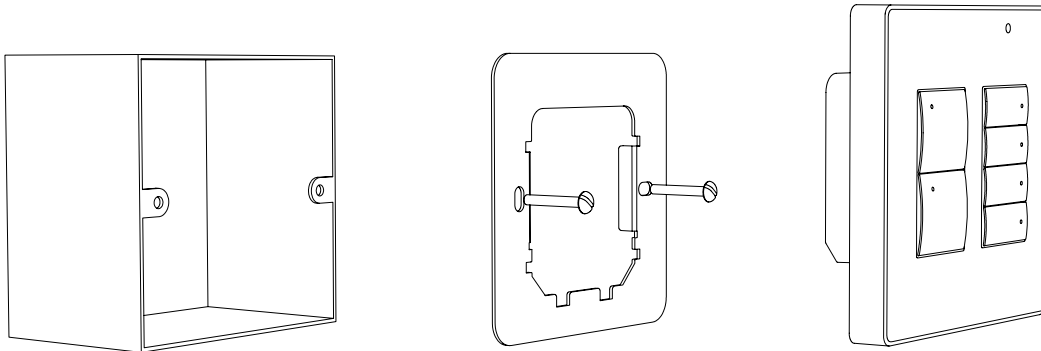


Figure 1

WIRING DIAGRAM

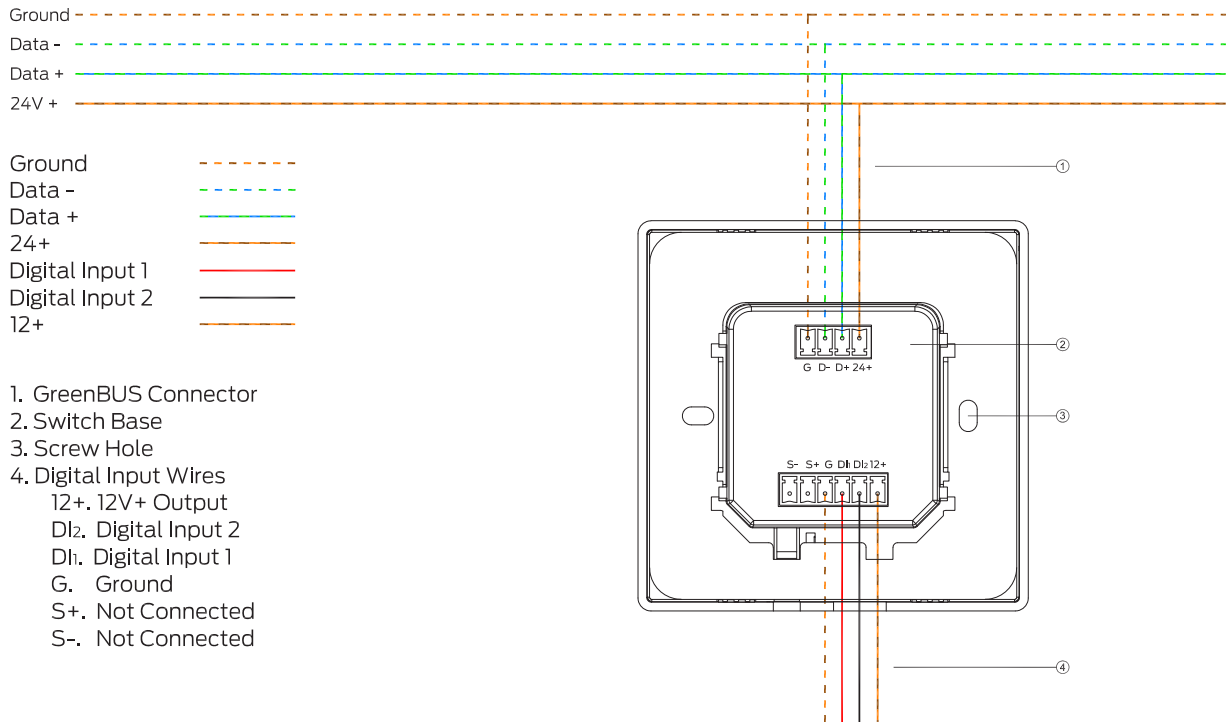


Figure 2: Wiring Diagram

RECOMMENDED CABLES

Module power input cable:
2.0mm² electrical copper wire.

Load output wire:
2.0mm² electrical copper wire.

Recommended cable configuration:
GND = Brown and White + Orange and White
B-(B)= Blue and White + Green and White
B+(A)= Blue + Green
24V = Brown + Orange

