

1. Gateway & Bridge Series
2. Dimming Series

---

## **3. RELAY SERIES**

**3.7 Relay Meshed 2CH, 10A with 4DI**  
RM0210A

---

4. Climate Series
5. Guest Room Series
6. Human Interface Series
7. I/O Series
8. Power Supply Series
9. Multiroom Audio Series
10. Motorization Series



## | DESCRIPTION

The Blue IoT CONTROLS (Blue IoT) RM0210A Relay Meshed 2CH, 10A with 4DI is a BlueBUS 2 channel output device with a maximum control load of 10A per channel and a total module load of 20A.

Each channel is equipped with built-in port that can be used to connect an external current sensor for individual energy monitoring and reporting.

And, it provides 3 x 3.3V signal input channels used for up to three current sensors or any compatible analog output sensor.

Additionally, it provides 4 dry contact digital input channels that allows the use of standard light switches (3rd party), door/window contacts, flood, pressure, motion sensors and any other digital output.

The module is provided with a status LED to indicate the load status and can be used to identify the module during system configuration.

The module comes equipped with a push button switch that allows local control of connected circuits/ devices and for installation and testing.

## | DEVICE FEATURES

BlueBUS wireless structured meshed interface.

Provides 2 x 10A output channels.

Provides 3 x 3.3V signal input channels.

Provides 4 x dry contact digital input channels.

Incorporates a push button switch that allows local control of connected circuits/devices and for installation and testing.

No earth is required.

Incorporates overheat and short circuit protection (fuse).

Incorporates current detection and overload protection through external current sensors.

LED indicates module link and health and load status.

Remembers last known state at the hour in the event of power loss.

Incorporates Zone and Category grouping.

Built-in Scene and Timer engines supporting up to 32 Scenes and 16 Timers.

Built-in Event engine supporting up to 32 Events with up to 8 triggers, 8 conditions and 128 actions (not exceeding 512 actions per module).

32 Flags can be defined to be used as triggers and/or conditions for Event engine.

Programmable onsite or offsite via Smart IoT CONTROLS Configuration Client Software.

Programmed variables are stored in nonvolatile memory and are retained in case of loss of mains.

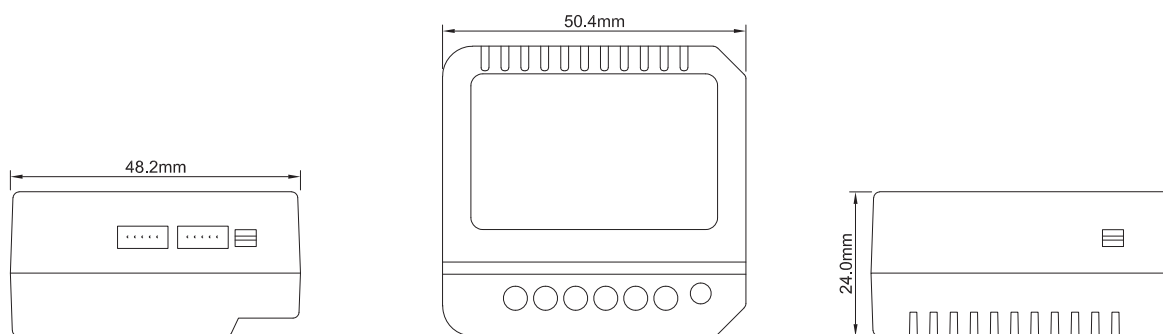
Supports local upgrade.

CE & RoHs certified.

## TECHNICAL SPECIFICATIONS

Processor:	1.8MHz, Flashless, 200Kbyte RAM
Memory:	16MByte SPIFI Serial Flash
Additional Solid-state Memory:	8GByte (expandable as needed)
Ethernet:	RJ45 10/100Mbit Ethernet
Operation Voltage:	DC 24V ±10% (BUS Powered)
Power Consumption:	Approximately 75mA
Working Temperature:	0°C ~ +55°C
Storage Temperature:	-10°C ~ +55°C
Working Humidity:	20% ~ 90%
Storage Humidity:	10% ~ 90%
Installation:	35mm DIN rail mounting, EN50022
Communication	RS485, TCP/UDP/IP
Module Dimension:	55.78x116.3x80.3mm (WxHxD)
Packing Dimension:	65x125x90mm (WxHxD)
Net Weight:	145g
Gross Weight:	180g
Protection Class:	IP20, EN60 529

## DIMENSIONS



Side View

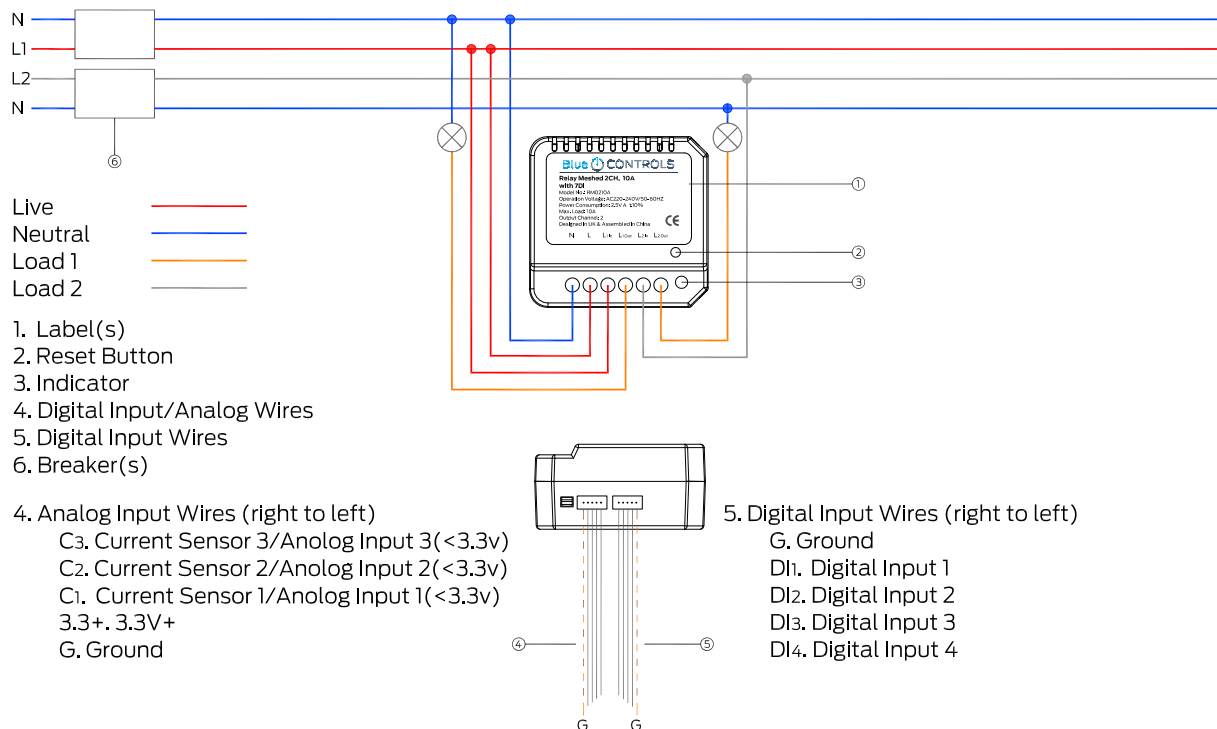
Front View

Top View

# I INSTALLATION

---

# WIRING DIAGRAM



**Figure 1:** Wiring Diagram

# RECOMMENDED CABLES

**Module power input cable:**  
 2.0mm<sup>2</sup> electrical copper wire.

**Load output wire:**  
 2.0mm<sup>2</sup> electrical copper wire.