

1. Gateway & Bridge Series
2. Dimming Series
3. Relay Series
4. Climate Series
5. Guest Room Series
6. Human Interface Series

I 7. I/O SERIES

7.14 Digital I/O Meshed 8CH, with 12V DIOM812

8. Power Supply Series
9. Multiroom Audio Series
10. Motorization Series



I DESCRIPTION

The Blue IoT CONTROLS (Blue IoT) DIOM812 Digital I/O Meshed 8CH, with 12V is a BlueBUS I/O device with built-in 12V power supply. It is designed to provide cost effective solution for areas with limited budget and/or requirement.

And, it provides 4 x 3.3V signal output channels used for LED indicator or as a trigger to (3rd party) relay contactors.

Additionally, it provides 4 dry contact digital input channels that allows the use of standard light switches (3rd party), door/window contacts, flood, pressure, motion sensors and any other digital output.

The module is provided with a status LED used to identify the module during system configuration, and comes equipped with a push button switch for installation and testing

| DEVICE FEATURES

BlueBUS wireless structured meshed interface.

Provides 4 x 3.3V signal output channels.

Provides 4 x dry contact digital input channels.

Built-in 12V power supply.

Incorporates a push button switch for installation and testing.

No earth is required.

LED indicates module link and health status.

Incorporates Zone and Category grouping.

Built-in Scene and Timer engines supporting up to 32 Scenes and 16 Timers.

Built-in Event engine supporting up to 32 Events with up to 8 triggers, 8 conditions and 128 actions (not exceeding 512 actions per module).

32 Flags can be defined to be used as triggers and/or conditions for Event engine.

Programmable onsite or offsite via Smart IoT CONTROLS Configuration Client Software.

Programmed variables are stored in nonvolatile memory and are retained in case of loss of mains.

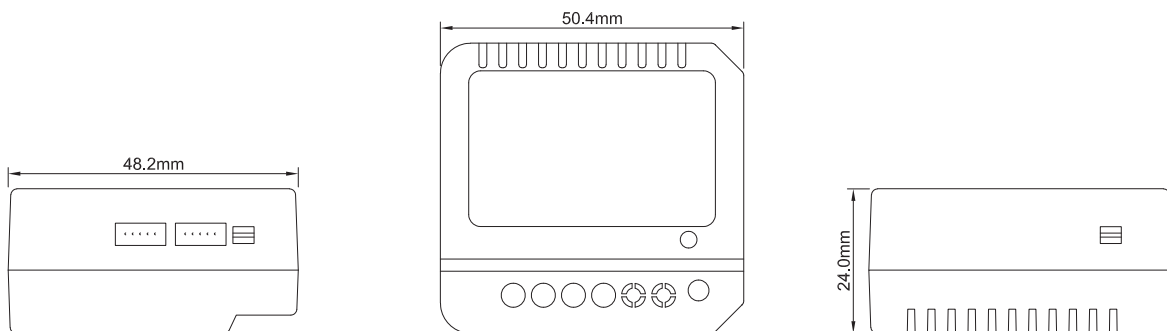
Supports local upgrade.

CE & RoHs certified.

TECHNICAL SPECIFICATIONS

Processor:	1.8MHz, Flashless, 200Kbyte RAM
Memory:	16MByte SPIFI Serial Flash
Additional Solid-state Memory:	8GByte (expandable as needed)
Ethernet:	RJ45 10/100Mbit Ethernet
Operation Voltage:	DC 24V ±10% (BUS Powered)
Power Consumption:	Approximately 75mA
Working Temperature:	0°C ~ +55°C
Storage Temperature:	-10°C ~ +55°C
Working Humidity:	20% ~ 90%
Storage Humidity:	10% ~ 90%
Installation:	35mm DIN rail mounting, EN50022
Communication	RS485, TCP/UDP/IP
Module Dimension:	55.78x116.3x80.3mm (WxHxD)
Packing Dimension:	65x125x90mm (WxHxD)
Net Weight:	145g
Gross Weight:	180g
Protection Class:	IP20, EN60 529

DIMENSIONS



Side View

Front View

Top View

I INSTALLATION

WIRING DIAGRAM

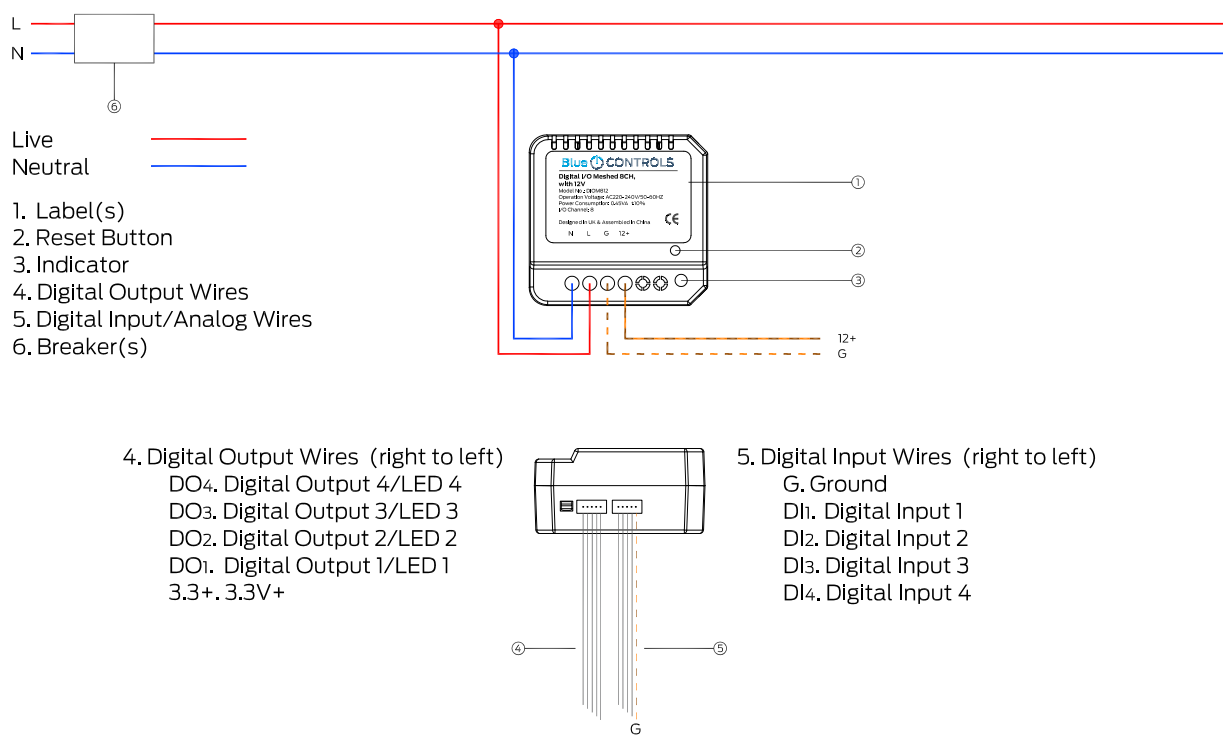


Figure 1: Wiring Diagram

RECOMMENDED CABLES

Module power input cable:
 2.0mm² electrical copper wire.

Load output wire:
 2.0mm² electrical copper wire.